

UV570 series NDI Full HD PTZ Camera

The UV570 series camera offers perfect functions, superior performance and rich interfaces. The features include advanced ISP processing algorithms to provide vivid images with a strong sense of depth, high resolution, and fantastic color rendition.



Key Features

- **Superb High-definition Image**
UV570 employs 1/2.8 inch high quality CMOS sensor. Resolution is up to 1920x1080 with frame rate up to 60fps.
- **Multiple optical lens**
5X, 12X, 20X, 30X optical zoom lens for selection; 5X lens has 83 degree wide angle with little distortion.
- **Leading Auto Focus Technology**
Leading auto focus algorithm makes lens a fast, accurate and stable auto-focusing.
- **Low Noise and High SNR**
Low Noise CMOS effectively ensure high SNR of camera video. Advanced 2D/3D noise reduction technology is also used to further reduce the noise, while ensuring image sharpness.
- **Multiple video output interfaces**
HDMI, SDI, USB3.0 and LAN ports for video output. Both video and audio can be output from HDMI, SDI, LAN, USB3.0 at the same time. LAN interface supports POE power supply. The transmission distance of SDI under 1080p60 is 100 meters.
- **USB3.0 supports dual code streams**
Supports both main and sub-code streams output simultaneously; support YUY2, MJPEG, H.264, NV12, H.265 video encoding format.
- **Built-in Gravity Sensor**
Support automatic PTZ auto-flip function and easy to install.
- **Multiple Network Protocols**
Support ONVIF, GB/T28181, RTSP, RTMP, VISCA OVER IP, IP VISCA, RTMPS, SRT, **NDI** protocols and support RTMP push mode, easy to link streaming media server (Wowza, FMS). Supports RTP multicast mode.
- **Control protocol**
RS422 (compatible with RS485), RS232-in, RS232-out, and RS232 interface supports cascade connection.
- **Multiple Control Protocols**
Support VISCA, PELCO-D, PELCO-P protocols; Support automatic identification protocols.
- **Extremely Quiet PTZ**

Phone: +86-17771843647

Tel: +86-755-33288582

E-mail: claire@minrayicctv.com

Web: www.minrraycam.com

Address: 5&6 Floor, Building 13-A, ZhongHaiXin Technology Park, Ganli Road, Lilang Avenue, Buji, Shenzhen 518112, China

Adopting step driving motor mechanism and motor drive controller with high precision is to ensure PTZ works smoothly with low speed and without noise.

- **Multiple Preset**

Support 255 preset positions (the remote controller is set to 10 preset positions).

- **Multiple Remote Controller**

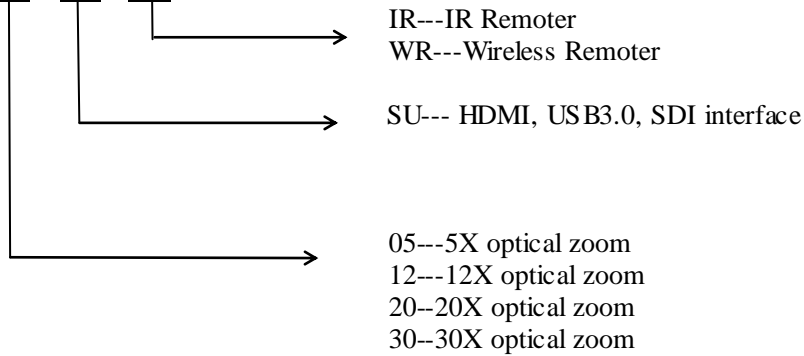
Users can choose infrared remote controller or wireless remote controller according to the environmental conditions. 2.4G wireless remote controller is not affected by the angle, distance, infrared interference.

- **Wide Application**

Tele-education, Lecture Capture, Webcasting, Videoconferencing, Tele-training, Tele-medicine, Interrogation and Emergency command systems.

Order No.

UV570—XX—XX—XX



Technical Specifications

Model	UV570-05	UV570-12	UV570-20	UV570-30
Camera Parameter				
Optical Zoom	05X f=3.1~15.5mm	12X f=3.9~46.8mm	20X f=5.2~98mm	30X f=4.3~129mm
Sensor	1/2.8 inch high quality HD CMOS sensor			
Effective Pixels	16: 9, 2.07 megapixel			
Video Format	HDMI/SDI video format 1080P60/50/30/25, 1080I60/50, 720P60/50, 1080P59.94, 1080I59.94, 1080P29.97, 720P59.94, 720P29.97 USB3.0 interface video format Main Stream - YUY2/MJPEG/NV12/H.264/H.265: 1920×1080P30,1280×720P30,1024×576P30,960×540P30,800×448P30,720×480P30,640×360P30, 640×480P30,320×176P30 Sub Stream - YUY2/NV12: 640×360P30,640×480P30,320×176P30 MJPEG/H.264/H.265: 1920×1080P30,1280×720P30, 1024×576P30,960×540P30,800×448P30,720×480P30,640×360P30, 640×480P30,320×176P30			
View Angle	20° (tele) 84° (wide)	6.3° (tele) 72.5° (wide)	3.2° (tele) 56° (wide)	2.34° (tele) 65° (wide)
AV	F1.8 – F2.8	F1.8 – F2.4	F1.5 – F3.0	F1.6 – F4.7
Minimum	0.5Lux (F1.8, AGC ON)			

Phone:+86-17771843647

Tel:+86-755-33288582

E-mail:claire@mingricctv.com

Web:www.minrraycam.com

Address: 5&6 Floor,Building 13-A,ZhongHaiXin Technology Park,Ganli Road,Lilang Avenue,Buji,Shenzhen 518112,China

Illumination	
DNR	2D & 3D DNR
White Balance	Auto / Manual/ One Push/ Specify color temperature
Focus/Aperture/ Electronic Shutter	Auto/Manual/One Push
Exposure Mode	Auto/Manual/Shutter priority/Aperture priority/Brightness priority
Aperture	F1.8 ~ F11 CLOSE
Shutter Speed	1/25~1/10000
BLC	ON/OFF
DRC	OFF/ Dynamic level adjustment
Video Adjustment	Brightness, Color, Saturation, Contrast, Sharpness, B/W mode, Gamma curve
SNR	≥50dB
Input/Output Interface	
Video Interfaces	UV570-05/12/20/30-SU Model: HDMI, SDI, NDI , RS232-IN/OUT, RS422 & RS485, A-IN, USB3.0(type B compatible with USB2.0), DC12V, power switch
Video Stream	Dual stream output
Video Compression Format	LAN Interface: H.265, H.264, dual stream output USB3.0 Interface: Main stream supports YUY2/MJPEG/H.264/NV12/H.265; Sub stream supports YUY2/MJPEG/H.264/NV12
Audio Input Interface	Double track 3.5mm linear input
Audio Output Interface	HDMI, SDI, LAN , USB3.0
Audio Compression Format	AAC
Network Protocol	RTSP, RTMP, ONVIF, GB/T28181, VISCA OVER IP, IP VISCA, RTMPS, SRT, NDI Support remote upgrade, reboot and reset
Control Interface	RS232-IN, RS232-OUT, RS422 (compatible with RS485)
Control Protocol	VISCA/Pelco-D/Pelco-P, Baud Rate: 115200/38400/9600/4800/2400bps
Power Interface	HEC3800 outlet (DC12V)
Input Voltage	DC12V±10%
Input Current	Maximum: 1A
Power Consumption	Maximum: 12W
PTZ Parameter	
Pan/Tilt Rotation	±170°; -30°~+90°
Pan Control Speed	0.1 -100 %sec
Tilt Control Speed	0.1-45 %sec
Preset Speed	Pan: 100 %sec, Tilt: 45 %sec
Preset Number	255 presets (10 presets by remote controller)
Other Parameter	
Stored Temperature	-10℃~+60℃
Storage Humidity	20%~95%
Working Temperature	-10℃~+50℃
Working Humidity	20%~80%
Dimension	181mmX115mmX149mm
Weight	1.15KG
Accessory	
Package	Power Supply, RS232 control cable, USB3.0 connection cable, Remote Controller, User Manual
Optional Accessories	Ceiling / Wall Mount (Extra Cost)

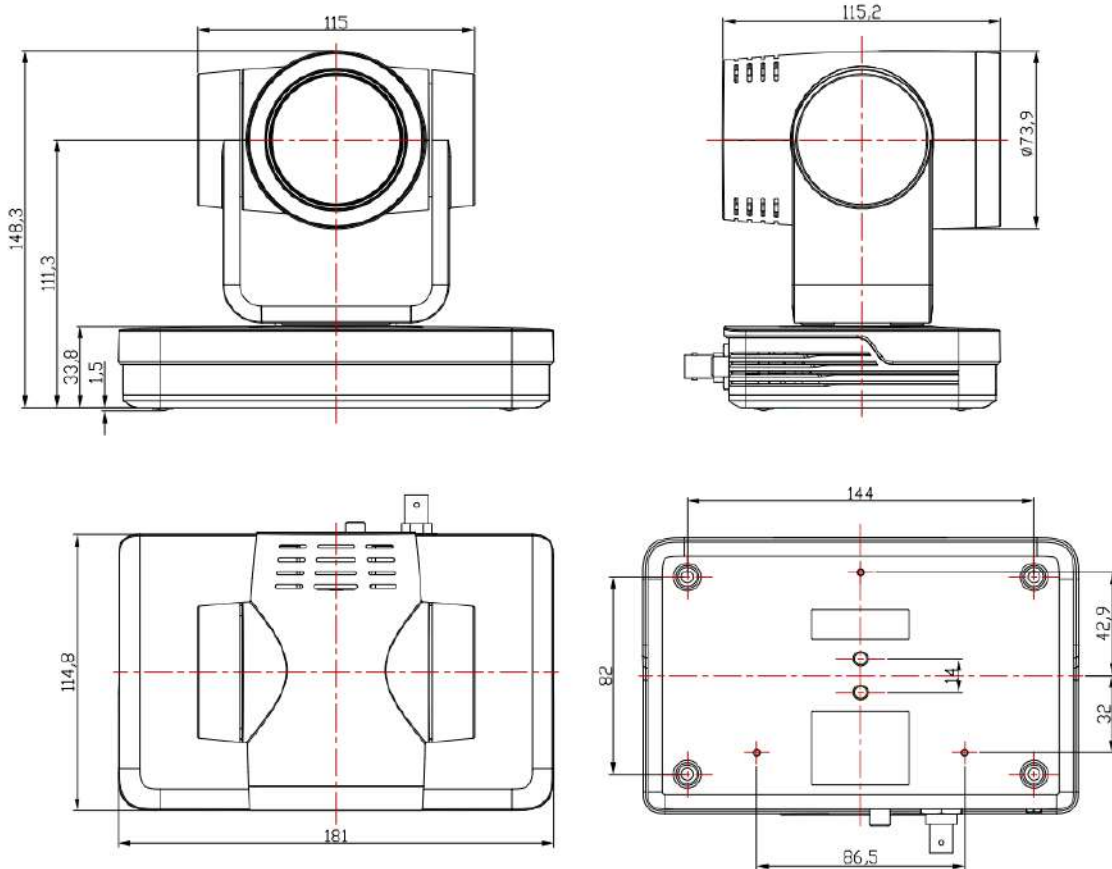
Phone:+86-17771843647

Tel:+86-755-33288582

E-mail:claire@mingricctv.com

Web:www.minrraycam.com

Address: 5&6 Floor,Building 13-A,ZhongHaiXin Technology Park,Ganli Road,Lilang Avenue,Buji,Shenzhen 518112,China

Dimension (unit: mm)

Phone:+86-17771843647

Tel:+86-755-33288582

E-mail:claire@mingricctv.com

Web:www.minrraycam.com

Address: 5&6 Floor, Building 13-A, ZhongHaiXin Technology Park, Ganli Road, Lilang Avenue, Buji, Shenzhen 518112, China